

GR *Supra*



TRACK EDITION AWAKEN THE BEASTS



Move your world

CONCEPT BEHIND
THE BEAST

Fast, strong, agile and designed for those who crave raw power and speed. Take it to the streets and watch as it comes alive on its domain, with wind-slicing performance and precise handling of a modern sports car.



GR SUPRA



TRACK EDITION

Supra in Volcanic Ash Gray Metallic

POWER IN ITS PUREST FORM.



Supra in Volcanic Ash Gray Metallic

Engineered with exceptional precision,
feel the roar of power and performance.

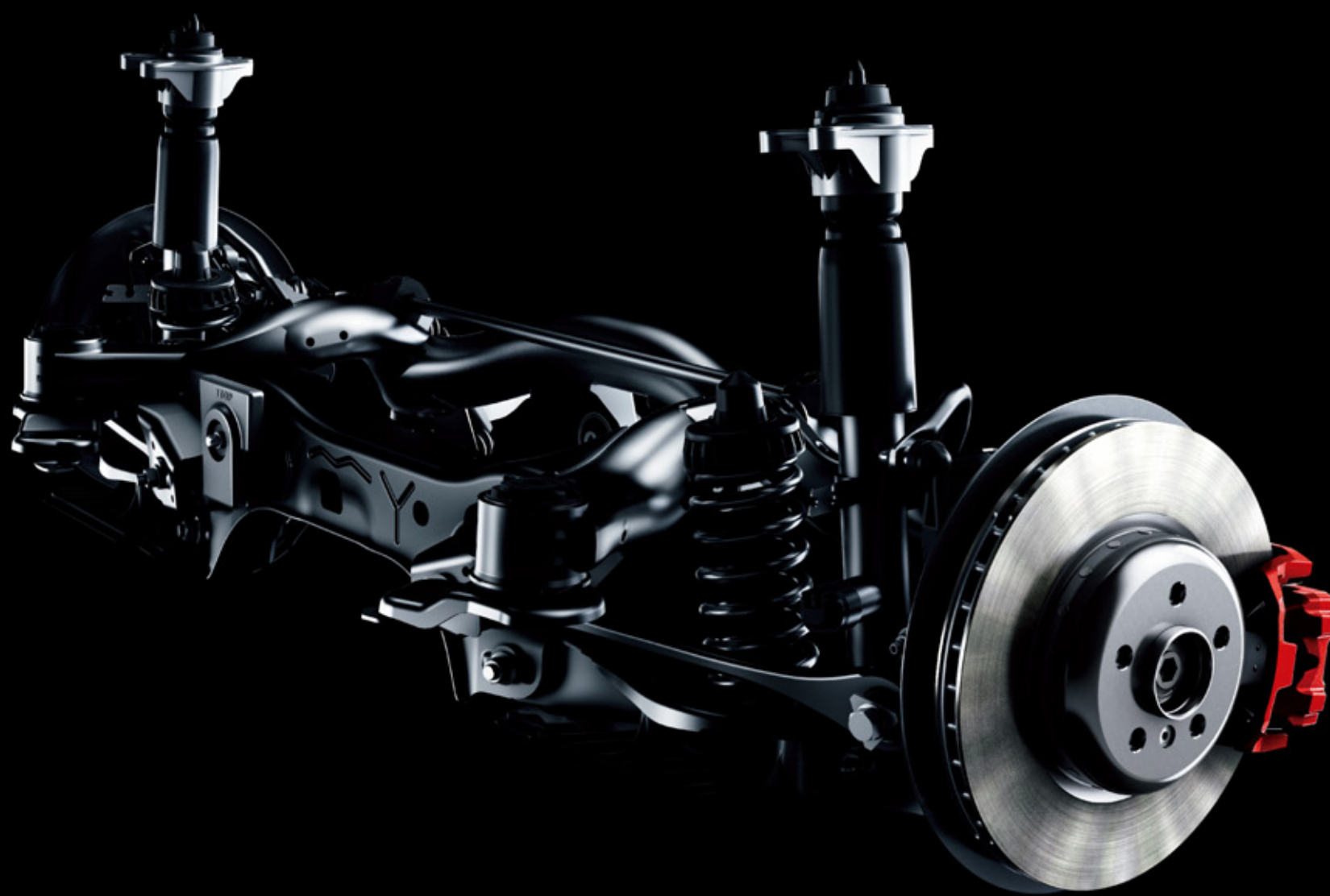
PERFORMANCE.

Prepare for the most exhilarating driving experience yet. A turbo-charged 3.0-litre in-line six-cylinder engine delivering 388 PS and a maximum torque of 500Nm at 1800-5000 rpm with an optimum weight distribution and a highly rigid frame come together to offer the performance, body and soul of a true sports car.



Larger 4-Pot Brembo Front Brakes

Superior stopping power with high-performance 4-piston Brembo front brakes, paired with a larger front brake disc.

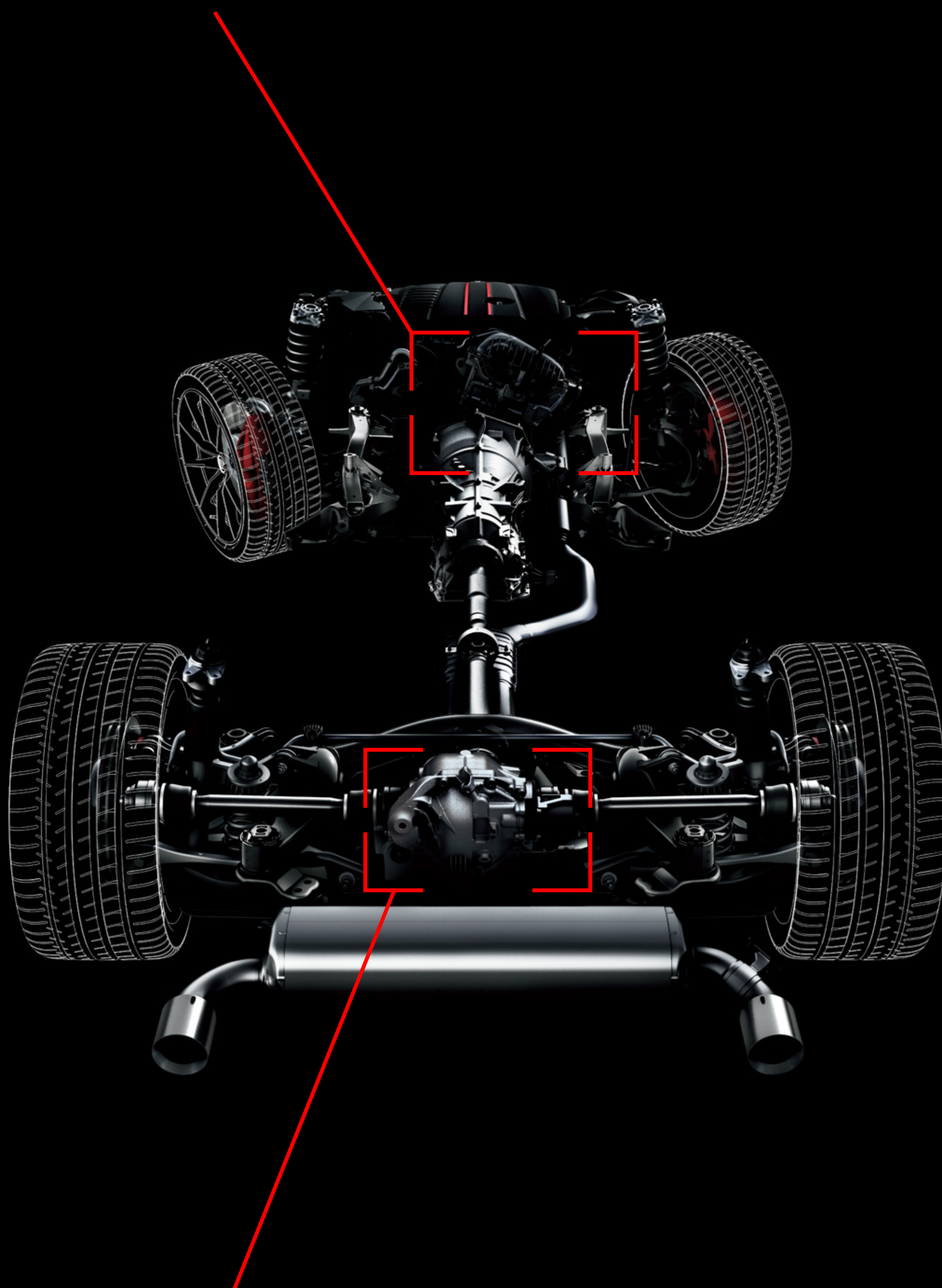


Track Edition Tuned Adaptive Variable Suspension

Precision-tuned for sharper handling and improved performance with real-time adjustments to adapt to any road conditions.

Electric Power Steering (EPS) with Track Edition Exclusive Control

Fine-tuned for the track, with responsive steering and improved feedback for a truly connected drive.



Active Limited Slip Defferential with Track Edition Exclusive Control

Optimized for high-performance driving, adapting to your drive for maximum traction and dynamic handling.



➤ **6-speed Manual or 8-speed Automatic Transmission**

Available in 6-speed Manual or 8-speed Automatic Transmission to heighten one's enjoyment of driving. Be one with your car and take full control.

DESIGNED TO THRILL.



Six-Lens LED Units & Cornering Lamp

Six-lens LEDs with DRL, adaptive lighting and full LED rear lamps for high visibility and a bold GR Supra signature.



Track Edition Exclusive Exterior

Equipped with new 19" matte forged aluminum rims and aerodynamic enhancements like wheel arch flaps and wider front spats for superior performance.



Carbon Fibre Ducktail Spoiler

Increased rear downforce for improved maneuverability and high-speed stability.

COMFORT MEETS PERFORMANCE.

Track Edition Exclusive Interior

A driver-focused cockpit with Alcantara and leather seats, signature GR embroidery, and red contrast elements that highlight the GR spirit in every drive.



Sporty aluminium pedals across all variants.



Leather-wrapped 3-spoke steering wheel.

Actual vehicle may vary from image shown.

TOYOTA SUPRA SAFETY

Advanced suite of safety features that allows you to unleash your drive with peace of mind.



Pre-collision System [PCS]

Avoids or mitigates frontal collisions by alerting the driver and automatically applies the brakes to reduce vehicle speed when there is a risk of collision.

Automatic High Beam [AHB]

Auto High Beam (AHB) is available, which automatically turns on the high beam when there are no vehicles ahead.

Dynamic Radar Cruise Control [DRCC]

Designed to adjust your speed, helping you maintain a preset distance from the car in front of you.

Lane Departure Alert [LDA] with **Lane Tracing Assist** [LTA]

Using the camera sensor and millimeter wave radar, LDA helps prevent the vehicle from unintentionally straying from its lane while LTA (Lane Tracing Assist) automatically keeps the car centered. It will sound an alert and apply minor (selectable) steering adjustments to realign the vehicle should it detect the vehicle going off-course.

MAIN SPECIFICATIONS

VARIANT		GR SUPRA 3.0 A/T	GR SUPRA 3.0 M/T
ENGINE			
Model		B58	
Type		3.0L, In-Line 6-cylinders, DOHC 24 valve, Twin Scroll Turbo	
Displacement	cc	2,998 (82 x 94.6)	
Max. Output	PS / rpm	388 / 5,800 - 6,500	
Max. Torque	Nm / rpm	500 / 1,800 - 5,000	
Fuel Injection		Direct Injection	
TRANSMISSION			
Type		8-speed Automatic with Paddle Shifter	6-speed Manual
Gear Ratio	1st	5.520	4.110
	2nd	3.360	2.315
	3rd	2.172	1.542
	4th	1.720	1.179
	5th	1.136	1.000
	6th	1.000	0.846
	7th	0.822	-
	8th	0.640	-
	Reverse	3.712	3.727
Final Drive	3.154	3.462	
PERFORMANCE			
Acceleration (0-100 km/h)	s	4.1	4.4
Top Speed	(km/h)	250 (electronically limited)	
Min. Turning Radius	Tire (m)	10.4	
	Body (m)	11	
Drive Mode		Normal / Sport	
Suspension Type		Track Edition Tuned Adaptive Variable Suspension	
CHASSIS			
Suspension	Front	Double Jointed MacPherson Strut with Stabiliser Bar	
	Rear	Multi-Link with Stabiliser Bar	
Suspension	Type	Adaptive Variable Suspension	
Brakes	Front	Ventilated Disc with 4-piston Fixed Caliper	
	Rear	Ventilated Disc with 1-piston Floating Caliper	
Tyres & Rims	Front	255/35ZR19 Michelin Pilot Super Sport, 19" Forged Aluminium Wheels	
	Rear	275/35ZR19 Michelin Pilot Super Sport, 19" Forged Aluminium Wheel	
Spare Tyre		Tyre Repair Kit	
Rear Differential		Active Limited Slip Differential with Track Edition Exclusive Control	
Steering		Electric Power Steering (EPS) with Track Edition Exclusive Control	
MEASUREMENTS			
Overall	Length / Width / Height	(mm)	4,379 / 1,867 / 1,299
Wheelbase		(mm)	2470
Weight (Kerb/Gross)		(kg)	1,600 / 1,815 1,575 / 1,795
Minimum Turning Radius		(m)	5.2
Fuel Tank Capacity		(Litre)	52
EXTERIOR FEATURES			
Headlamps	Type	Adaptive LED Headlamps with LED Turn Signals	
Daytime Running Lights (DRL)		LED	
Rear Combination Lamps		LED	



Actual vehicle colour may vary from image above.

MAIN SPECIFICATIONS

VARIANT	GR SUPRA 3.0 A/T	GR SUPRA 3.0 M/T	
EXTERIOR FEATURES			
Rear Spoiler	Carbon Fibre		
Wipers	Automatic With Rain Sensors		
Exhaust System	Dual Sport Muffler		
INTERIOR FEATURES			
Seats	Material / Colour	Black Alcantara® with Genuine Leather w/ GR embroidery	
	Front Seat	8-way Power Adjustable with 4-way Power Lumbar Support & Backrest Width Adjustment	
	Memory	2-position (Driver Only)	
Drive Mode	With (Normal & Sport)		
Audio System	Type*	8.8" Display Audio with Touch Pad Remote Controller and Apple CarPlay	
	Speakers	12-speaker JBL® HiFi Surround Sound System	
Air Conditioning	Dual Zone Automatic Climate Control		
Heads-up Display	With		
Speedometer	8.8" Colour TFT Display		
Smart Entry & Start System	With		
Shift Lever Knob	Genuine Leather	Genuine Leather with Red Ring	
Foot Pedal	Aluminium		
USB Charging Port	With		
Wireless Charger	With		
RFID	With		
Power Window	With (Auto)		
Steering Wheel	3-spoke, Leather-wrapped, Tilt & Telescopic Adjustable		
SAFETY			
Toyota Supra Safety	Forward Collision Warning	With Brake Function	
	Dynamic Radar Cruise Control (DRCC)	With Stop & Go	Without (with Normal Cruise Control)
	Lane Departure Warning	With Steering Assist	
	Adaptive Cruise Control	Without (with Normal Cruise Control)	With (with Stop & Go)
	Adaptive High-beam System	With	
	Road Sign Assist	With	
Vehicle Stability Control (VSC) & Traction Control (TRC)	With		
Anti-lock Braking System (ABS)	With Electronic Brake-force Distribution (EBD) & Brake Assist (BA)		
Hill-start Assist Control (HAC)	With		
Emergency Stop Signal (ESS)	With		
Electric Parking Brake (EPB)	With		
Reverse Camera	With		
Parking Sensors	With (Front & Rear)		
Blind Spot Monitor (BSM)	With Rear Cross Traffic Alert (RCTS)		
Tyre Pressure Monitoring System (TPMS)	With		
SRS Airbags	7 Airbags (Dual front, Front Side, Side Curtain, Dual Front knee)		
Seatbelts	3-point ELR x 2 with Pretensioner and Force Limiter		
ISOFIX	With (Front Passenger Seat)		
SECURITY			
Security System	With		
Toyota Premium Security & Solar Film	Immobiliser with Siren Sensor		

*Functions availability may vary depending on smartphones. For details, please contact your nearest Toyota showroom.



5 years warranty from the date of first registration with unlimited mileage. Terms and Conditions apply.



- UMW Toyota Motor reserves the right to alter any details of specifications and equipment without notice.
- Details of specifications and equipment are also subject to change to suit local conditions and requirements.
- Vehicle and specifications in this catalogue may vary from models available locally.
- Vehicle body and accessory colours might differ from the printed photos in this catalogue.
- All images used are for illustrative purposes.



TRACK EDITION

**AWAKEN
THE BEASTS**