

**GR YARIS**



# AWAKEN YOUR FURY

NOW AVAILABLE IN AUTOMATIC OR MANUAL TRANSMISSION



*Move your world*

# AWAKEN YOUR FURY

It's in its nature to thrill.

The 2025 GR Yaris is an instant hot hatch classic,  
channelling your instinct for exceptionally enhanced  
power and razor-sharp control.



GR YARIS

BORN FROM WRC

# GR YARIS



GR Yaris shown in color white

Actual vehicle may vary from image shown.

# INTUITIVE CONTROL, ANYWHERE



GR Yaris shown in color white

The GR Yaris embodies a driver-first philosophy, meticulously crafted to enhance your experience. From chassis enhancements that amplify feedback to increased engine performance, every detail is designed to forge an unparalleled sense of connection between driver and machine.

## Increased Engine Performance

Tougher, with boosted power and torque, this exceptional engine continues to break boundaries with every turn.

### G16E-GTS Engine

The G16E-GTS powers the GR Yaris, delivering unparalleled performance

Race-engineered

**1.6L**

Horsepower

**300 PS**

Max Torque

**400 Nm**

Inline 3-cylinder

**D-4ST** Direct & Port Injection, Turbo

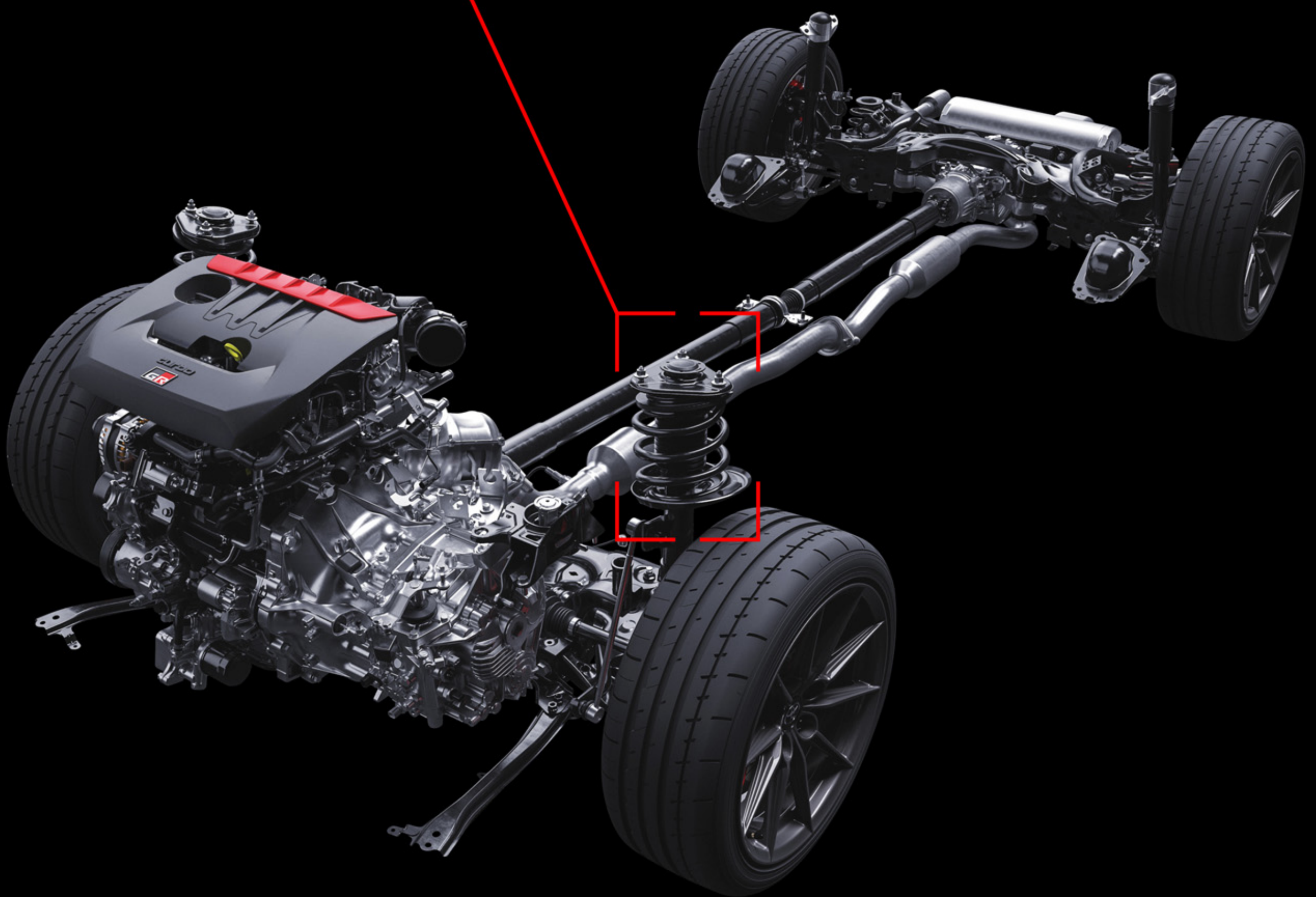
Acceleration

**0-100km/h in 5.2s**



### Enhanced Handling Stability

From single-point fastening to three-point fastening, the suspension now withstands alignment changes during hard driving, enhancing steering responsiveness and handling stability.





### 8-Speed Gazoo Racing Direct Automatic Transmission

Unleash full engine performance with Launch Control and close-ratio gearing, delivering the thrill of a manual without taking your hands off the wheel.



### Pure precision with Intelligent Manual Transmission

GR Yaris offers more precise shifting with a 6-Speed Intelligent Manual Transmission allowing drivers to quickly change gears from sporty to race-ready.



### Drive Mode Select

Sport, Normal, Eco. For the perfect track ready daily.



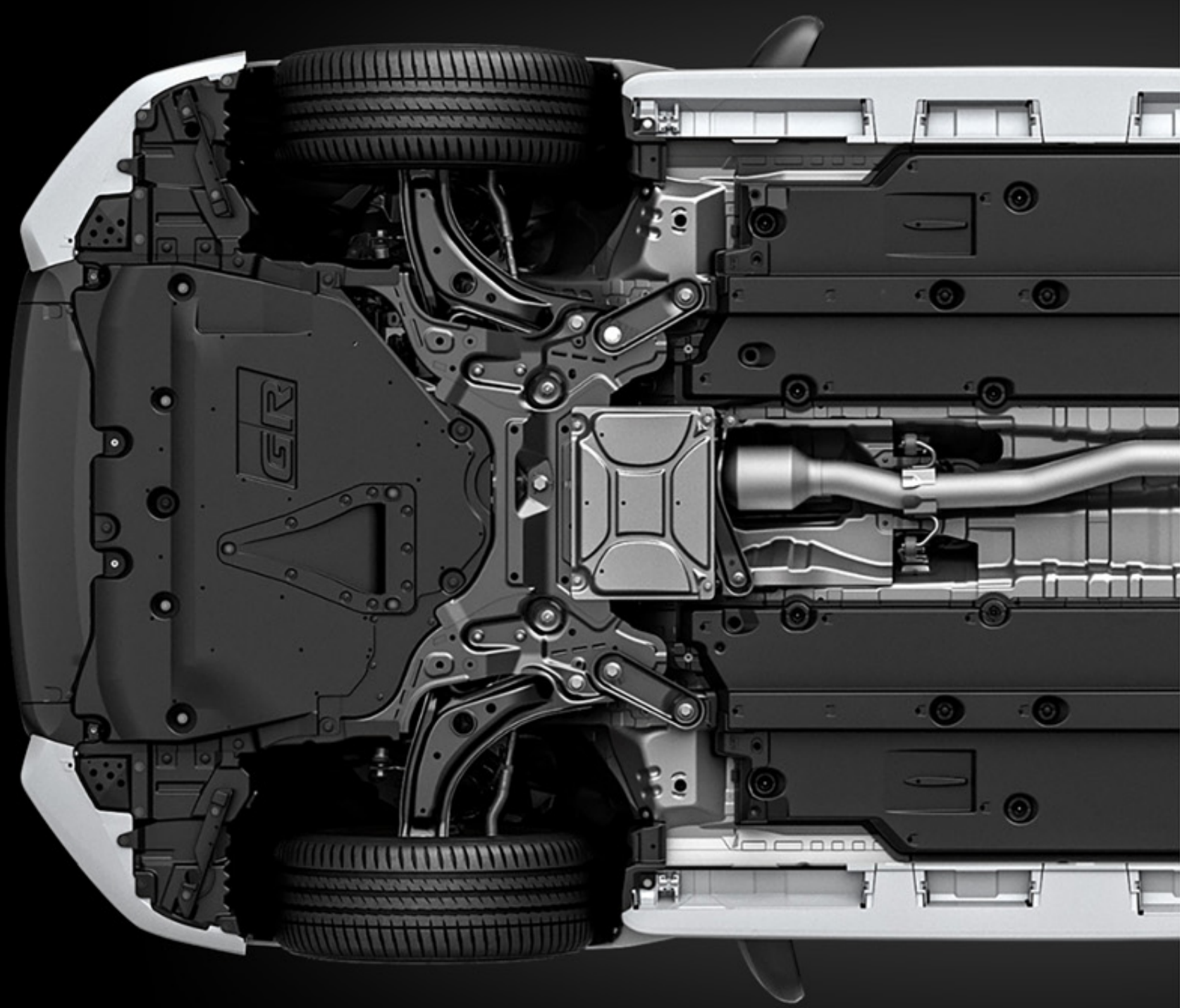
### GR-FOUR AWD System

The vehicle offers three driving modes tailored for various conditions. NORMAL mode maintains a 60:40 torque split for nimble, everyday driving. The new GRAVEL mode enhances traction with a 53:47 distribution, ideal for low-friction surfaces. TRACK mode, previously fixed at 50:50, now dynamically varies between 60:40 and 30:70, optimising traction based on driver input and vehicle dynamics.

# ENGINEERED FOR PURE DRIVING FEEL

## Front undercarriage with Naca Duct

Low-drag air intake design to provide more cooling to the transfer case for longer period of circuit driving.



## Built-in Launch Control System

Delivers optimal traction and acceleration from standstill. Applicable to Auto Transmission only.



# INSTINCTIVELY INNOVATIVE

Shaped by insights from motorsports professionals, the new GR Yaris boasts an exterior with updated features that not only commands attention but also reduces aerodynamic drag, enhancing cooling performance and agility for a performance-driven edge.



### Rear Design

Streamlined upper and lower rear lamp. Redesigned to create a low and wider impression.



### Functional Matrix v2 Grille

Front bumper now features the latest 3-split construction that enhances cooling and aerodynamics and allows customisation potential.



### Side Lower Grilles

Redesigned with larger openings for optimal cooling performance.

# ROOM FOR MORE

The enhanced, driver-centric interior features a lower seating position and multimedia screen, putting comfort and control at your fingertips.



### BRIN NAUB Semi Bucket Seats

Lowered seat position and updated material for more precise vehicle feedback and helmet ergonomics.



### GR-unique Driver-First cockpit

Refined with input from professional drivers, this exclusive cockpit delivers sharp visibility and seamless operability.



### GR Full TFT Meter (12.3")

Designed for precision-oriented readability/Visuals, this TFT gauge display provides all the essential vehicle data for a dynamic, performance-focused driving experience.



### 7" Audio Multimedia System

Comes standard with Apple Carplay & Android Auto™ Wireless Connectivity, stay connected to your world on the go.



### Cooling Package

For enhanced cooling performance, a sub-radiator, cold air intake duct and intercooler sprayer comes standard for high-performance driving. An ATF cooler is also included in A/T models to maintain optimal transmission temperature.

# TOYOTA SAFETY SENSE

Advanced suite of safety features that allows you to unleash your drive with a peace of mind.



## Pre-collision System [PCS]

Avoids or mitigates frontal collisions by alerting the driver and automatically applies the brakes to reduce vehicle speed when there is a risk of collision.

## Automatic High Beam [AHB]

Auto High Beam (AHB) is available, which automatically turns on the high beam when there are no vehicles ahead.

## Dynamic Radar Cruise Control [DRCC]

Designed to adjust your speed, helping you maintain a preset distance from the car in front of you.

## Lane Departure Alert [LDA] with Lane Tracing Assist [LTA]

Using the camera sensor and millimeter wave radar, LDA helps prevent the vehicle from unintentionally straying from its lane while LTA (Lane Tracing Assist) automatically keeps the car centered. It will sound an alert and apply minor (selectable) steering adjustments to realign the vehicle should it detect the vehicle going off-course.



TOYOTA

*Move your world*



# EXTRA MILE

*Toyota prides itself in keeping its cars on the road longer. But beyond its legendary legacy of durability and reliability is the commitment to go the extra mile for every customer. With a comprehensive network of services and facilities across Malaysia to make every Toyota ownership more convenient than ever.*

*From delivery to your doorstep, holistic car maintenance assistance services, simpler ownership cost management, and much more.*

*We are more than just an automobile company, we are a mobility company committed to 'Move Your World'.*

---

*A Total of 97 Service Centres Nationwide.  
Conveniently located for easy accessibility to quality service and genuine parts.*



## Maxcheck

*Toyota Quality Service goes the Extra Mile with all the facilities you need to keep your car running at its best.*



## Insurance Package

*Toyota Insurance Package goes the Extra Mile to ensure you're covered, whatever the situation.*



## Genuine Parts

*Toyota Genuine Parts go the Extra Mile for quality, reliability, and higher resale value to bring you peace of mind.*



## Service Savers

*With Toyota Service Savers, we go the Extra Mile so it's easy and more rewarding to keep your new Toyota running at its best.*



## 247 Road Assist

*With Toyota 247 Road Assist, we go the Extra Mile to keep you safe, back on the road, and moving with Toyota.*



## Financial Packages

*With Toyota Financial Packages, we go the Extra Mile to bring you more financing choices to fit your needs and lifestyle.*



## Loyal-T

*With Loyal-T, we go the Extra Mile to get you more rewarded for enjoying the thrill of the drive with your Toyota.*

# MAIN SPECIFICATIONS

VARIANT		GR YARIS 1.6 A/T	GR YARIS 1.6 M/T
<b>ENGINE</b>			
Model		G16E-GTS	
Type		1.6L, In-Line 3-cylinders, DOHC 4 valve, Turbocharged	
Displacement (Bore x Stroke)	cc	1,618 (87.5 x 89.7)	
Max. Output	PS / rpm	300 / 6,500	
Max. Torque	Nm / rpm	400 / 3,250 - 4,600	
Fuel System		Direct Multipoint Injection (D-4ST)	
<b>PERFORMANCE</b>			
Acceleration (0-100 km/h)	s	5.2	
Top Speed	km/h	230 (Electronically Limited)	
Min. Turning Radius	Tire (m)	5.31	
	Body (m)	5.64	
Drive Mode		Eco / Normal / Sport	
Intercooler Spray		With	
Cold Air Intake Duct		With	
ATF Cooler		With	Without
Coefficient of Drag		0.349	0.346
<b>TRANSMISSION</b>			
Transmission		8-speed GAZOO Racing Direct Automatic	6-speed Manual Transmission with iMT
Drive System		GR-FOUR AWD System, Electronic Multi-plate clutch AWD (with Normal/Gravel/Track)	
Gear Ratio	1st	4.435	3.538
	2nd	2.809	2.238
	3rd	1.933	1.535
	4th	1.498	1.162
	5th	1.267	1.081
	6th	1.000	0.902
	7th	0.794	-
	8th	0.650	-
Final Drive	Reverse	3.590	3.831
	Front	3.329	3.941 (1st - 4th) / 3.350 (5th - 6th, Rev)
	Rear	2.277	
<b>CHASSIS</b>			
	Front & Rear Differential	Torsen® Limited Slip Differential (LSD)	
Performance Pack	Suspension	Front	MacPherson Strut with Stabiliser
		Rear	Double Wishbone with Stabiliser
	Tyres & Rims	225/40ZR18 Michelin PS4S, 18" BBS Forged Aluminium Wheels	
Brakes	Front	Ventilated Disc Brake With Fixed 4-Pot Calliper	
	Rear	Ventilated Disc Brake With Fixed 2-Pot Calliper	
Steering		Electric Power Steering (EPS)	
Spare Tyre		Tyre Repair Kit	
<b>MEASUREMENTS</b>			
Overall	Length / Width / Height	(mm) 3,995 / 1,805 / 1,455	
Wheelbase		(mm) 2,560	
Tread	Front / Rear	(mm) 1,535 / 1,570	
Weight (Kerb/Gross)		1,325 / 1,645	1,305 / 1,645
Min. Ground Clearance		(mm) 124	
Fuel Capacity		(Litre) 50	



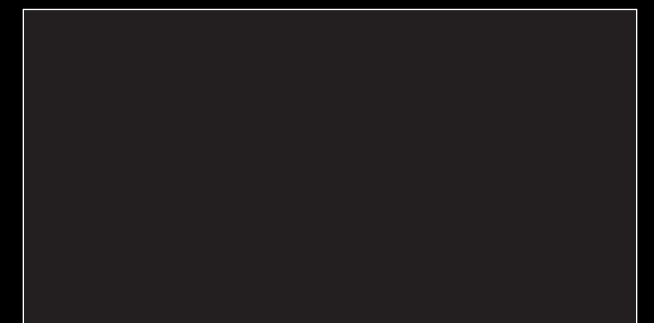
Platinum White Pearl Mica (089)



Emotional Red II (3U5)



Precious Metal (1L5)



Precious Black (219)

Actual vehicle colour may vary from image above.

# MAIN SPECIFICATIONS

VARIANT		GR YARIS 1.6 A/T	GR YARIS 1.6 M/T
<b>EXTERIOR FEATURES</b>			
Headlamps	Type	LED Headlamps with LED Turn Signal Lamps	
Daytime Running Lights		With (LED)	
Front Bumper Design		Functional MATRIX Ver.2	
Rear Combination Lamps		With (LED)	
Roof		Carbon Fibre	
Engine Undercover		With NACA Duct	
Rear Spoiler		With	
Exhaust System		Dual Sports Muffler	
Wipers		Automatic with Rain Sensor	
<b>INTERIOR FEATURES</b>			
Seats	Front Seat	BRIN NAUB® Semi Bucket Seat with Red Stitching	
	Rear Seat	60:40 Split Fold	
Interior Trim Colour		GR Gun Metallic	
Audio System	Type	7" Display Audio with Wireless Apple CarPlay and Android Auto-ready Connectivity*, USB, Bluetooth®	
	Speakers	6 Speakers	
Air-conditioning		Dual Zone Automatic Climate Control	
Multi-information Display (MID)		GR Full TFT Meter (12.3")	
Shift Lever Knob	Material	Leather Wrapped	
Aluminium Foot Pedals		With	
Cargo Space	(Litre)	174	
Power Window		With (Auto Up / Down with Jam Protection)	
Driving Video Recorder		With (Front & Rear)	
RFID		With	
<b>SAFETY</b>			
Toyota Safety Sense	Pre-collision System (PCS)	With	
	Dynamic Radar Cruise Control (DRCC)	Full Speed Range	High Speed Range
	Lane Departure Alert (LDA)	With	
	Lane Tracing Assist (LTA)	With	
	Road Sign Assist (RSA)	With	
	Auto High Beam (AHB)	With	
Blind Spot Monitor (BSM)		With	
Vehicle Stability Control (VSC)		With Expert Mode	
Anti-lock Braking System (ABS)		With Brake Assist (BA)	
Parking Sensors		With (Front & Rear)	
SRS Airbags		6 (Driver, Front Passenger, Front Side & Curtain)	
<b>SECURITY</b>			
Toyota Premium Security & Solar Film		With	
Security System		Immobiliser With Siren Sensor	
<b>OPTIONAL</b>			
Vehicle Telematics System (VTS)		Optional	

\*Functions availability may vary depending on smartphones. For details, please contact your nearest Toyota showroom.

- UMW Toyota Motor reserves the right to alter any details of specifications and equipment without notice.
- Details of specifications and equipment are also subject to change to suit local conditions and requirements.
- Vehicle and specifications in this catalogue may vary from models available locally.
- Vehicle body and accessory colours might differ from the printed photos in this catalogue.
- All images used are for illustrative purposes.



5 years warranty from the date of first registration with unlimited mileage. Terms and Conditions apply.

— | Follow us! | —

